

# LI-OBS

## LOW INTENSITY OBSTRUCTION LIGHT

CE LED IP67 



Low intensity obstruction lights are used to warn of the presence of obstacles up to a height of 45 meters, in accordance with the requirements of ICAO Annex 14.

The omni-directional, low intensity, steady burning red obstruction light is fitted to the highest point of the installation.

### Features

- Cost effective, energy efficient obstruction lighting solution
- LED technology reduces maintenance time and costs
- Robust design for use in harsh environments
- Single or double unit configuration
- Type A and Type B intensity
- Can be installed on a rigid baseplate
- The Double L-810 is configured with a fault detection and day/night sensor
- Optional combined visual/IR for NVG

### Applications

Low Intensity Obstruction Light for marking top of obstacles that do not exceed 45 metres in height, such as wind turbines, telecom towers, power lines, chimneys, steeples, high-mast lighting towers, cranes, bridges, high rise buildings.

### Technical data

#### Performance

Light output:	LED
Power:	5w single, 10W double unit
Peak intensity (Cd):	Complies with ICAO Type A or Type B
Input voltage:	110-240V AC or 12-48V DC
Ambient temp:	-25°C to +65°C

#### Optoelectronics

LED Type:	Osram
Circuit Board:	MPCB 1.6 mm
Colour:	Red
IR:	Optional

#### Optics

Lens:	UV coated polycarbonate
Refraction:	Pseudosphere

#### Luminaire Body

Material:	Aluminium, powder coated
Length:	120mm
Width:	120mm
Height:	110mm
Weight:	2.8 Kg
Structure:	Rigid
Colour:	White (RAL 9010), Blue (RAL 5015)
Product life expectancy:	>10 years
Warranty:	5 years
Wind speed:	Up to 240kph / 150mph

#### Compliance

Regulation:	ICAO, FAA, EASA, MOSI39, CAP168
-------------	---------------------------------

#### Normative reference

ICAO Aerodromes - Annex 14 Volume 1, Chapter 6: Low intensity, Type A-B steady burning obstacle light.

FAA AC150/5345-43F E.B. #67 type L-810.

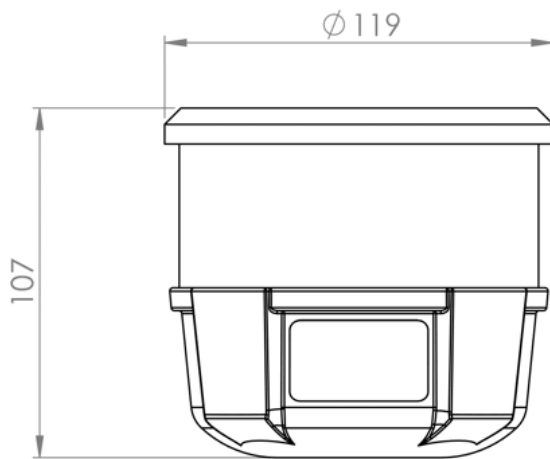
EASA CS-ADR-DSN Chapter Q.



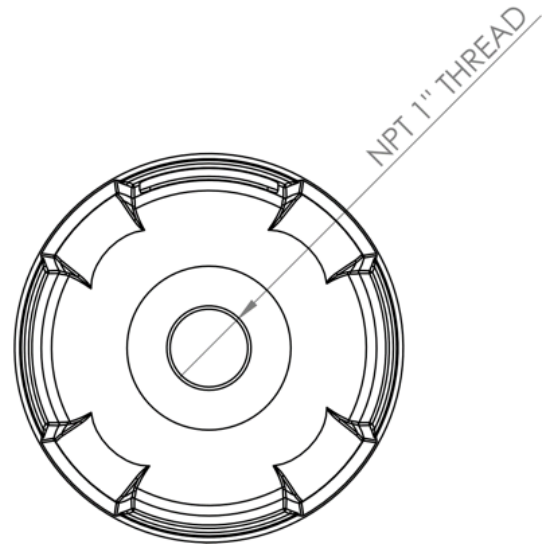


## L810 LOW INTENSITY OBSTRUCTION LIGHT

### Dimensions

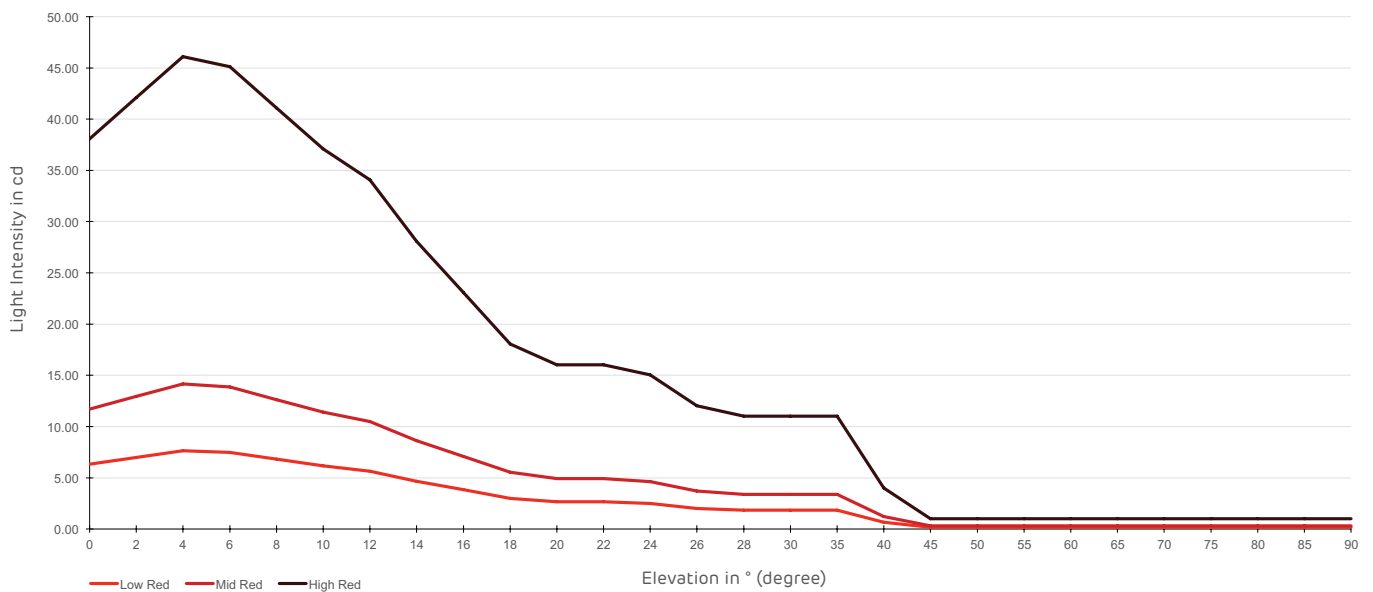


Side elevation



Plan elevation

### Light output



### Ordering codes

Product family	Colour	Voltage input	Burning	Type	Body colour	Optional
LI (low intensity)	RD (Red)	AC (120-240V)	S (Steady)	A (Type A)	W (White)	
	IR (Infrared)	DC (12-24V)	F (Flashing)	B (Type B)	M (Military)	
	ID (Red/Infrared)				C (Custom)	

Example: LI-RDACSAW



Midstream Lighting Ltd, 1 Chesham Street, London SW1X 8ND UK  
 Tel +44 207 584 8310 Email [navaids@midstreamlighting.com](mailto:navaids@midstreamlighting.com)  
[www.midstreamlighting.com](http://www.midstreamlighting.com)