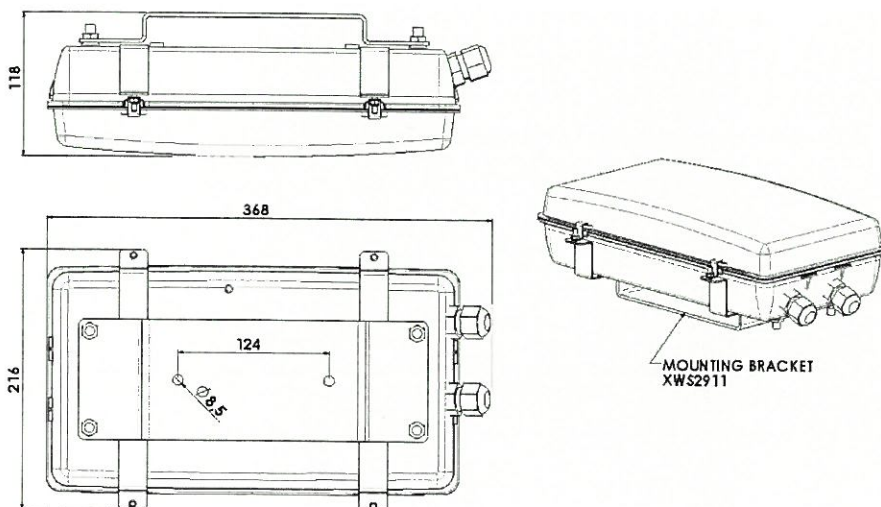


DATA SHEET
**LUMINAIRE FOR EMERGENCY LIGHTING
SELF CONTAINED**


TYPE CODE:	TWS2992WTNN
OPERATION:	SWITCHED MAINTAINED, 1h CAPACITOR BACKUP
LIGHT SOURCE:	4xPOWER LED (2 of LED's work as emergency lighting, 4 LED's for normal operating)

ELECTRICAL CHARACTERISTICS:

INPUT VOLTAGE:	230 VAC
INPUT POWER:	20VA(17,2W) Boost charge, 16VA(13,5W) trickle charge
EMERGENCY POWER SOURCE:	SUPERCAPACITOR
ELECTRICAL CONNECTION:	4x2,5mm ² -•- (continuous, switched, N, PE)
PFC	> 0,8

MECHANICAL CHARACTERISTICS:

MOUNTING:	MOUNTING BRACKET XWS2911
MATERIAL OF THE BODY:	POLYCARBONATE
MATERIAL OF THE DIFFUSER:	POLYCARBONATE
IP -CLASSIFICATION:	IP65

ENVIRONMENTAL CONDITIONS:

AMBIENT TEMPERATURE RANGE:	Ta 45°C (-25°C...+45°C)
----------------------------	-------------------------

FURTHER INFORMATION:

LUMINAIRE INCLUDES A MOUNTING BRACKET.
--

APPROVALS:

CE-MARKED ACCORDING TO THE EUROPEAN EMC DIRECTIVE 89/336/EEC AND LOW VOLTAGE DIRECTIVE 2006/95/EY STANDARDS APPLIED: EN 55015, EN 60598-1, EN 60598-2-22
--

WRITTEN BY:	PaH 24.09.2010	UPDATED BY:	PaH 1.12.2010
CHECKED BY:		CHECKED BY:	<i>PaH 1.12.2010</i>

We reserve the right to make modifications without prior notice